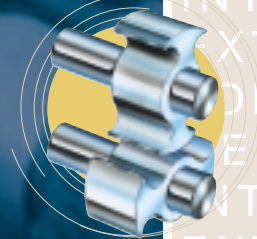
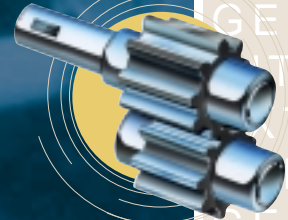


VIKING PUMP

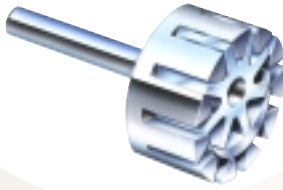
Product Range



INTERNAL
EXTERNAL
ROTOR
INTERNAL
EXTERNAL
LOBE
GEROTOR
INTERNAL
EXTERNAL
ROTOR
INTERNAL
EXTERNAL
LOBE
GEROTOR
INTERNAL
EXTERNAL
LOBE
GEROTOR
INTERNAL
EXTERNAL
LOBE
GEROTOR
INTERNAL

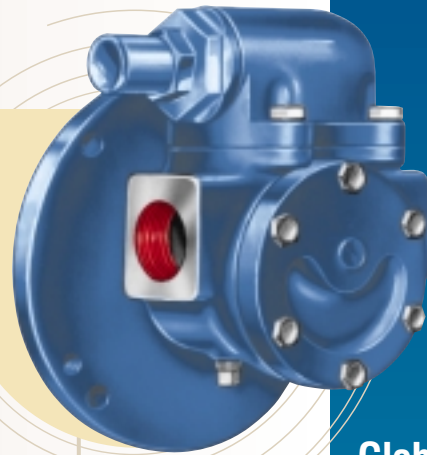
Viking Pump provides an unmatched combination of application expertise and positive displacement pumping products to meet your pumping needs. We specialize in the design, manufacture and application of standard and custom pumping products to some of the most challenging pumping applications in the world. We offer one of the industry's broadest selection of pumping technologies and product designs, and are dedicated to helping our customers achieve the best performance of their systems.

Internal Gear



C-Flange Mounted Pumps

Compact, general-purpose pumps for **medium duty applications**. Mounts on IEC 50 Hz or NEMA 60 Hz C-flange motors. No speed reducer required.



- 8 sizes
- Cast iron construction
- Lip seals or mechanical seals

Capacities:
to 6.8 m³/h
to 30 gpm

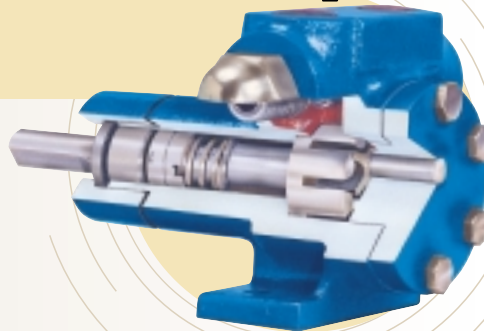
Differential Pressures:
To 7 bar
To 100 psi

Viscosity Range:
1 to 550 cSt
28 to 2,500 ssu

Temperature Range:
-30°C to +175°C
-20°F to +350°F

General Purpose Foot-Mounted Pumps

General-purpose pumps for **medium duty applications**.



- 14 sizes
- Cast iron construction
- Packing or mechanical seals (C-HL sizes)
- Jacketing option available

Capacities:
to 103 m³/h
to 450 gpm

Differential Pressures:
To 7 bar
To 100 psi

Viscosity Range:
1 to 55,000 cSt
28 to 250,000 ssu

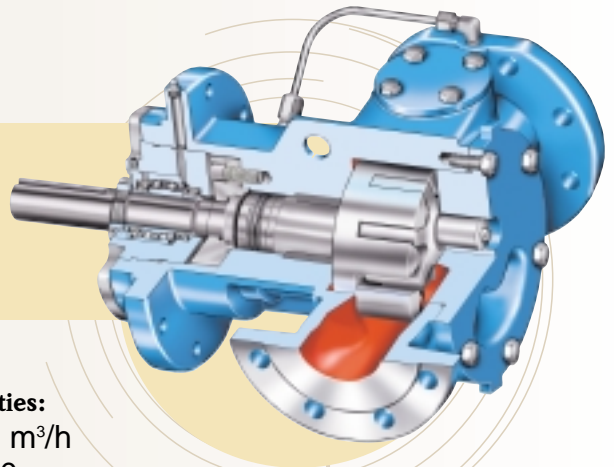
Temperature Range:
-50°C to +230°C
-60°F to +450°F

**Global Presence,
Local Service—**

Viking Pump provides local service through a highly-trained network of more than 200 stocking distributors spanning the globe. They are backed by regional manufacturing facilities and sales offices throughout the world.

Motor Speed Pumps

Capable of operating at **50 Hz motor speeds**, this metric designed pump may be foot-mounted or close-coupled to IEC frame motors for a compact footprint in a high capacity pump.



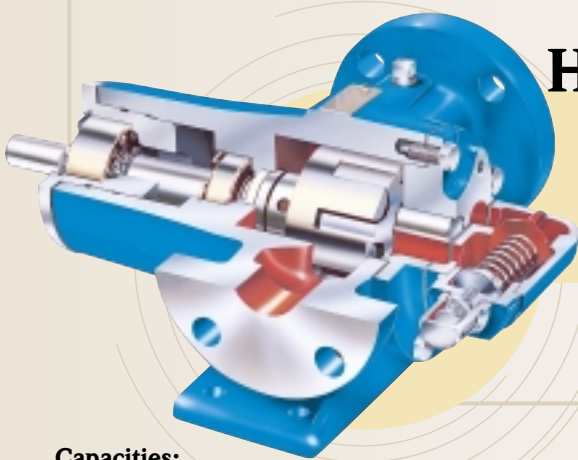
- 6 sizes
- Ductile iron construction
- Mechanical seals
- Large diameter shaft, oversize bearings and bushings
- Pressure relief valve standard
- New idler gear and root feed groove design for quiet operation

Capacities:
To 45 m³/h
To 200 gpm

Differential Pressures:
To 12 bar
To 175 psi

Viscosity Range:
1 to 22,000 cSt
28 to 100,000 ssu

Maximum Temperature:
To +150°C
To +300°F



High-Speed Compact Pumps

Compact, motor-speed pumps for medium to heavy duty applications. Direct drive with 1450 and 950 rpm motors (also 1750 and 1150 rpm). No speed reducer required.

- 6 sizes
- Stainless steel, steel, ductile iron or cast iron construction
- Ball bearing construction
- Mechanical seals standard
- Pressure relief valve standard
- Flanges or NPT ports

Capacities:
To 17 m³/h
To 75 gpm

Differential Pressures:
To 17 bar
To 250 psi

Viscosity Range:
1 to 3,300 cSt
28 to 15,000 ssu

Temperature Range:
-30°C to +175°C
-20°F to +350°F

Universal Seal Pumps

Heavy-duty, foot-mounted pumps with enlarged bearing housing lets user replace seals or change seal technologies without removing pump.

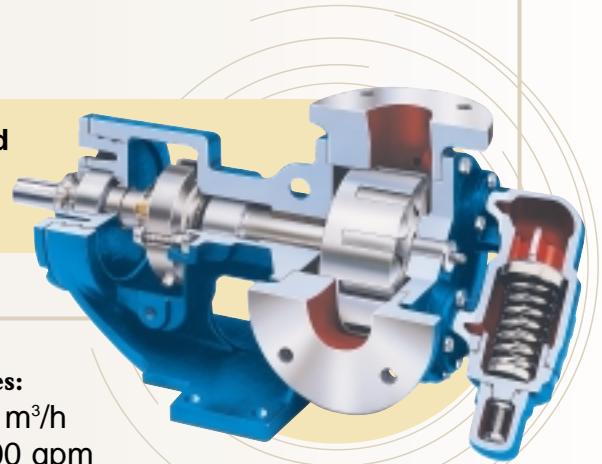
- 12 sizes
- Stainless steel, steel, ductile iron, or cast iron construction
- Thrust bearing adjustment sets end clearance
- Packing, component or cartridge seals
- Pressure relief valve standard
- Jacketing option available
- Flanged or NPT ports
- Multiple port locations

Capacities:
To 345 m³/h
To 1,500 gpm

Differential Pressures:
To 14 bar
To 200 psi

Viscosity Range:
1 to 440,000 cSt
28 to 2,000,000 ssu

Temperature Range:
-85°C to +425°C
-120°F to +800°F



Viking Mag Drive® Pumps

Magnetic drive replaces shaft seals to **eliminate leakage** and fugitive emissions, minimize downtime where seal maintenance is problematic. Available in internal gear, external gear, and VI-CORR® composite external gear configurations.

- 12 internal gear sizes (flow rates to 114 m³/h–500 gpm)
- 22 external gear sizes (flow rates to 7.3 m³/h–32 gpm)
- 8 VI-CORR® external gear sizes (flow rates to 6 m³/h–32 gpm)
- Stainless steel, steel, ductile iron, cast iron or composite construction

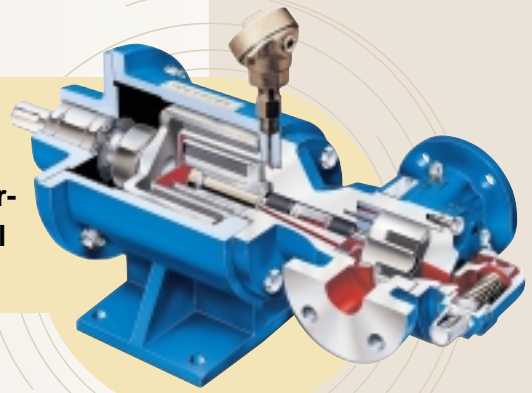
Capacities:
To 114 m³/h
To 500 gpm

Differential Pressures:

Internal Gear
To 8.5 bar
To 125 psi
External Gear
To 102 bar
To 1,500 psi

Viscosity Range:
1 to 55,000 cSt
28 to 250,000 ssu

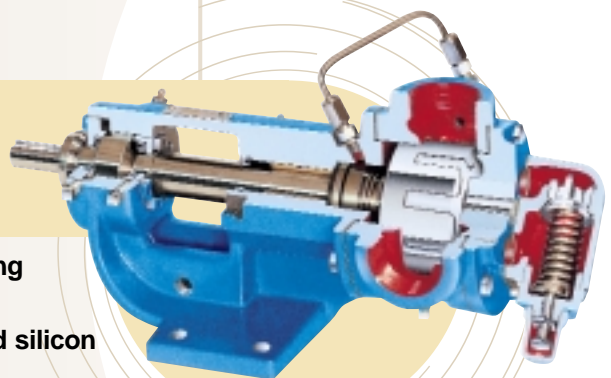
Temperature Range:
-50°C to +260°C
-60°F to +500°F



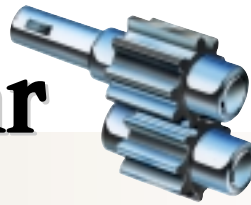
Special Application Pumps

Viking designs and builds **custom pumps** with special features for special applications and OEMs. Some examples:

- Asphalt pumps with jacketed casing, head, rotor bearing sleeve, and optional relief valve
- Abrasive liquid pumps with hardened construction and silicon carbide seals
- Ammonia pumps with double mechanical seal, pressurized seal chamber and oil reservoir, lubricated idler bushings and adjustable return-to-tank bypass valves
- Fluid transfer units with matched fluid-transfer pump and fluid power motor
- UL listed LP gas fueling pumps with O-ring gaskets, lubricated idler bushings, and adjustable return-to-tank bypass valves



External Gear



Spur Gear Pumps

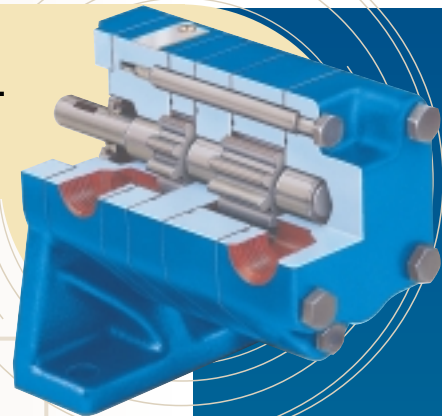
Spur gear design provides **high-speed, high-pressure** capabilities in low-capacity applications.

Direct drive with 2950, 1450 or 950 rpm motors (also 3550, 1750 and 1150 rpm motors).

- 23 sizes
- C-flange, foot bracket or base-mounting options
- Ductile iron or cast iron construction
- Lip seal, mechanical seal and Mag Drive options

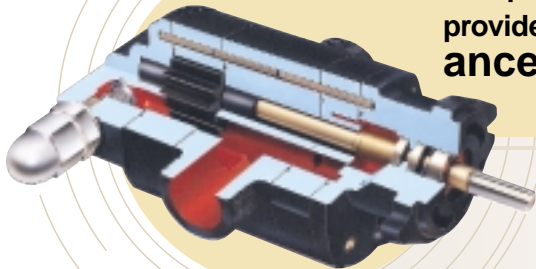
Capacities:
To 7.3 m³/h
To 32 gpm

Differential Pressures:	Viscosity Range:	Temperature Range:
To 102 bar	1 to 16,500 cSt	-40°C to +230°C
To 1,500 psi	28 to 75,000 ssu	-40°F to +450°F



VI-CORR® Composite Pumps

Composite housing and gear construction provides superior **corrosion resistance** for metering or medium duty transfer applications.



Capacities:
To 7.3 m³/h
To 32 gpm

Differential Pressures:	Viscosity Range:	Temperature Range:
To 14 bar	1 to 5,500 cSt	-40°C to +90°C
To 200 psi	28 to 25,000 ssu	-40°F to +200°F

- 8 sizes
- Ryton® housing and gear construction
- Ultimec™, Zirconium or coated stainless steel shafts
- Lip seal, mechanical seal or Mag Drive options
- Integral pressure relief valve
- NPT ports, two 180° port configurations

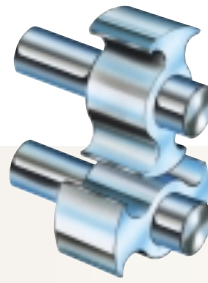
Pump Accessories

Viking provides a variety of pump accessories to **complete a pumping system.**

- Fully assembled packages including baseplates, motors, couplings, controls and other accessories
- Viking Flow Manager® controllers for monitoring and controlling flow rates, without intrusive flow meters, for metering and batch delivery systems
- Helical gear reducers (2.24:1 to 7.95:1 speed reduction)
- Lid-Ease® basket strainers (flows to 340 m³/h–1500 gpm)
- Belt drive packages



Heavy-Duty Lobe



Industrial Rotary Lobe Pumps

Lobe pump design offers **low-shear, high-pressure** operation. Specially designed for the rigors of industrial applications.

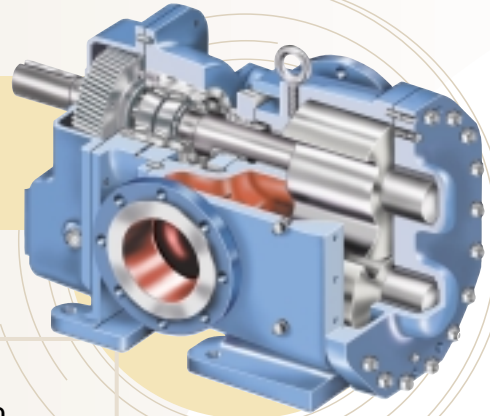
- Stainless steel or steel construction
- Bushings on both sides of rotors minimize shaft deflection
- Adjustable bearing assembly eliminates shimming for setting end clearances
- Cartridge, single or double mechanical seal options
- Lap joint flanges can be rotated to fit existing piping

Capacities:
To 104 m³/h
To 460 gpm

Maximum Differential Pressure:
To 20 bar
To 300 psi

Maximum Viscosity:
1 to 440,000 cSt
28 to 2,000,000 ssu

Maximum Temperature:
To +205°C
To +400°F



Gerotor



Gerotor Pumps

Simple, economical, low-flow pumps for a variety of clean, lubricating-fluid applications.

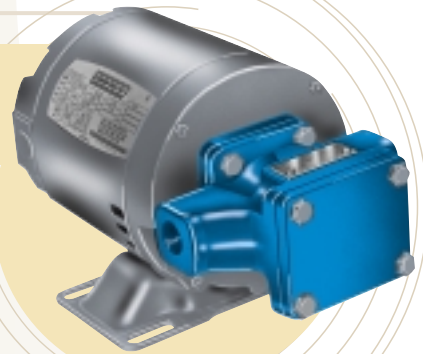
- 4 sizes
- 4-bolt motor mount or foot bracket mount
- Lip seal standard, mechanical seal optional
- Pressure relief valve optional
- Cast iron construction

Capacities:
To 2.3 m³/h
To 10 gpm

Maximum Pressures:
To 7 bar
To 100 psi

Maximum Viscosity:
1 to 550 cSt
28 to 2,500 ssu

Maximum Temperature:
To +230°C
To +450°F



**VIKING
PUMP**

An ISO-9001 and 14001 System-Certified Company

WORLD HEADQUARTERS

VIKING PUMP, INC.
A Unit of IDEX Corporation
Cedar Falls, Iowa 50613-0008 U.S.A.
Telephone: (319) 266-1741
Fax: (319) 273-8157
Web site: www.vikingpump.com

Europe

Viking Pump (Europe) Ltd.
Shannon, Ireland
Phone: +353 (61) 471933
Fax: +353 (61) 475046
Web site: www.vikingpumpeurope.co.uk

IDEX
IDEX CORPORATION