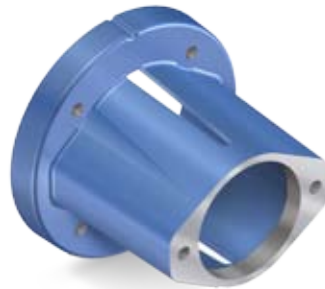


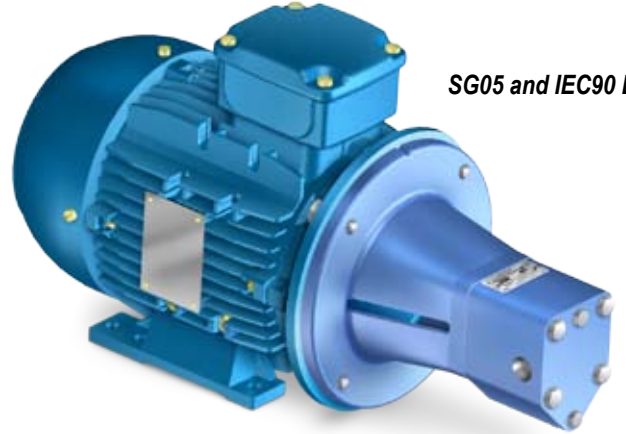
IEC MOTOR MOUNT
Spur Gear, LVP Vane & Motor Speed

Viking Pump's IEC (metric) motor brackets are used for running pumps at motor speed and provide the following advantages:

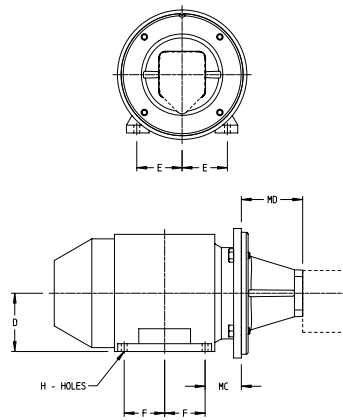
- Rigid, cast iron design
- Compact footprint
- Eliminates coupling guard
- Eliminates shaft alignment



**SG07 Bracket
for IEC 100-112 B14**

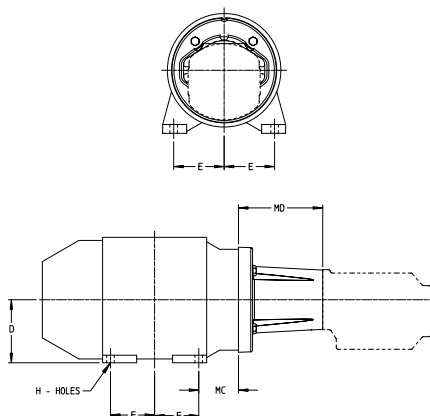


SG05 and IEC90 B5



	MOTOR FRAME SIZE		D	E	F	H	MC	MD	Approx. drive weight (Lbs.) *
SG-04/05	IEC 80 B5 FLANGE	in	3.15	2.46	1.97	0.39	1.97	3.73	46
		mm	80	62.5	50	10	50	94.7	
SG-04/05	IEC 90 B5 FLANGE	in	3.54	2.76	S 1.97 / L 2.46	0.39	2.20	3.73	64
		mm	90	70	S 50 / L 62.5	10	56	94.7	

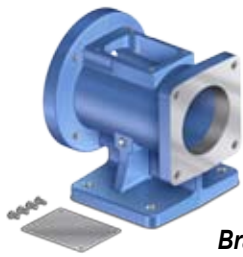
* Motor shipping weight listed is for a typical TEFC motor. (If a more accurate motor shipping weight is required, consult factory with complete motor specifications.)



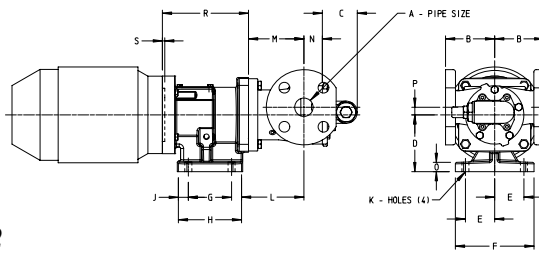
	MOTOR FRAME SIZE		D	E	F	H	MC	MD	Approx. drive weight (Lbs.) *
SG-07	IEC 90 B5 FLANGE	in	3.54	2.76	S 1.97 / L 2.46	0.39	2.20	5.13	68
		mm	90	70	S 50 / L 62.5	10	56	130.3	
SG-07	IEC 100 B14 FACE	in	3.94	3.15	S 2.20 / L 2.76	0.47	2.48	5.26	114
		mm	100	80	S 56 / L 70	12	63	133.6	
SG-07	IEC 112 B14 FACE	in	4.41	3.74	S 2.24 / L 2.76	0.47	2.76	5.26	129
		mm	112	95	S 57 / L 70	12	70	133.6	

* Motor shipping weight listed is for a typical TEFC motor. (If a more accurate motor shipping weight is required, consult factory with complete motor specifications.)

MODEL NO.		A	B	C	M	N	P	MOTOR FRAME	D	E	F	G	H	J	K	L	O	R	S
HJ493M HL493M	in	1.5	4.00	2.84	4.50	1.50	0.62	IEC 90	4.62	2.38	6.40	3.52	5.14	0.81	0.57	4.95	0.75	6.61	0.19
	mm	40	101.6	72.1	114.3	38.1	15.7	IEC 90	117.34	60.5	162.6	89.4	130.6	20.6	14.5	125.0	19.1	167.9	4.8
	in	1.5	4.00	2.84	4.50	1.50	0.62	IEC 100/112	4.62	2.38	6.40	3.52	5.14	0.81	0.57	4.98	0.75	7.01	0.19
	mm	40	101.6	72.1	114.3	38.1	15.7	IEC 100/112	117.34	60.5	162.6	89.4	130.6	20.6	14.5	128.8	19.1	178.1	4.8
	in	1.5	4.00	2.84	4.50	1.50	0.62	IEC 132	5.32	2.95	7.48	4.50	6.09	0.80	0.57	5.11	0.75	8.16	0.25
	mm	40	101.6	72.1	114.3	38.1	15.7	IEC 132	135.1	74.9	190.0	114.3	154.7	20.3	14.5	129.8	19.1	207.3	6.4



**H493, H495
and LVP01-02
Bracket for IEC 132**



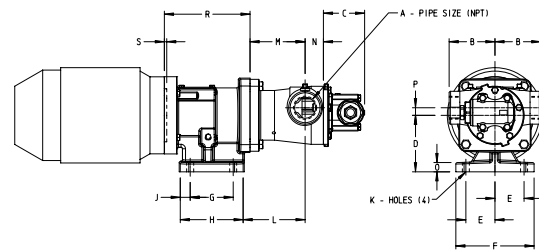
NOTES:

- Brackets are designed for IEC motors with a B14 mounting face.
- Jaw type coupling with straight jaws recommended to facilitate assembly of motor and pump to brackets.
- Coupling is guarded with a plate over the opening in the top of the bracket.

MODEL NO.		A	B	C	M	N	P	MOTOR FRAME	D	E	F	G	H	J	K	L	O	R	S
HJ495M HL495M	in	1.5	3.75	3.28	4.50	1.50	0.62	IEC 90	4.62	2.38	6.40	3.52	5.14	0.81	0.57	4.92	0.75	6.61	0.19
	mm	40	95.3	83.3	114.3	38.1	15.7	IEC 90	117.34	60.5	162.6	89.4	130.6	20.6	14.5	125.0	19.1	167.9	4.8
	in	1.5	3.75	3.28	4.50	1.50	0.62	IEC 100/112	4.62	2.38	6.40	3.52	5.14	0.81	0.57	5.07	0.75	7.01	0.19
	mm	40	95.3	83.3	114.3	38.1	15.7	IEC 100/112	117.34	60.5	162.6	89.4	130.6	20.6	14.5	128.8	19.1	178.1	4.8
	in	1.5	3.75	3.28	4.50	1.50	0.62	IEC 132	5.32	2.95	7.48	4.50	6.09	0.80	0.57	5.11	0.75	8.16	0.25
	mm	40	95.3	83.3	114.3	38.1	15.7	IEC 132	135.1	74.9	190.0	114.3	154.7	20.3	14.5	129.8	19.1	207.3	6.4



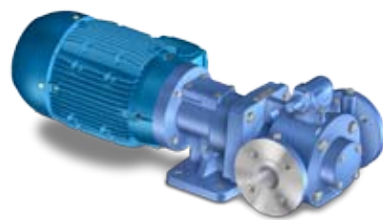
H495 and IEC 100-112



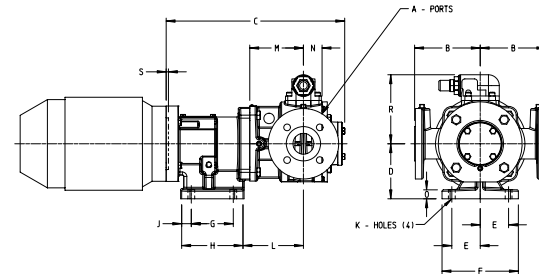
NOTES:

- Brackets are designed for IEC motors with a B14 mounting face.
- Jaw type coupling with straight jaws recommended to facilitate assembly of motor and pump to brackets.
- Coupling is guarded with a plate over the opening in the top of the bracket.

MODEL NO.		A	B	M	N	R	MOTOR FRAME	C	D	E	F	G	H	J	K	L	O	S
LVP40017-M LVP40027-M	in	1.5	5.50	4.50	1.56	5.79	IEC 90	14.57	4.62	2.38	6.40	3.52	5.14	0.81	0.57	4.83	0.75	0.19
	mm	40	139.7	114.3	39.6	147.1	IEC 90	370.08	117.34	60.5	162.6	89.4	130.6	20.6	14.5	122.68	19.1	4.8
	in	1.5	5.50	4.50	1.56	5.79	IEC 100/112	14.97	4.62	2.38	6.40	3.52	5.14	0.81	0.57	4.98	0.75	0.19
	mm	40	139.7	114.3	39.6	147.1	IEC 100/112	380.24	117.34	60.5	162.6	89.4	130.6	20.6	14.5	126.5	19.1	4.8
	in	1.5	5.50	4.50	1.56	5.79	IEC 132	16.12	5.32	2.95	7.48	4.50	6.09	0.80	0.57	5.00	0.75	0.25
	mm	40	139.7	114.3	39.6	147.1	IEC 132	409.4	135.1	74.9	190.0	114.3	154.7	20.3	14.5	127.0	19.1	6.4



LVP01-02 and IEC 100-112



NOTES:

- Brackets are designed for IEC motors with a B14 mounting face.
- Jaw type coupling with straight jaws recommended to facilitate assembly of motor and pump to brackets.
- Coupling is guarded with a plate over the opening in the top of the bracket.

For more information, contact your local authorized Viking Pump Distributor or contact Viking at:

VIKING PUMP, INC.

A Unit of IDEX Corporation
406 State Street, P.O. Box 8
Cedar Falls, Iowa 50613-0008 U.S.A.
Telephone: (319) 266-1741
Fax: (319) 273-8157
E-mail: info.viking@idexcorp.com
Web site: www.vikingpump.com

CANADA

Viking Pump of Canada, Inc.
Windsor, Ontario
Phone: (519) 256-5438
Fax: (519) 256-5070
www.vikingpumpcanada.com

EUROPE

Viking Pump (Europe) Ltd.
Shannon, Ireland
Phone: +353 (61) 471933
Fax: +353 (61) 475046
www.vikingpump europe.co.uk

LATIN AMERICA

Viking Pump (Latin America)
Mexico D.F., C.P.
Phone: +52 (55) 5255-1357
Fax: +52 (55) 5255-1356

Brazil - Sao Paulo

Phone: +55 (19) 3871-3500
Fax: +55 (19) 3871-6400

MIDDLE EAST

IDEX Middle East FZE
Dubai, UAE
Phone: +971-4-2257978
Fax: +971-4-2259796
www.idexapg.com

ASIA-PACIFIC GROUP

Singapore
Phone: +65-6763-6633
Fax: +65-6764-4020
www.idexapg.com

China - Shanghai

Phone: +86-21-5241-5599
Fax: +86-21-5241-8339
www.idexapg.com

China - Beijing

Phone: +86-10-6566-9090
Fax: +86-10-6567-5152
www.idexapg.com

China - Guangzhou

Phone: +86-20-3886-6156
Fax: +86-20-3886-2776
www.idexapg.com

India - Mumbai

Phone: +91-22-6678-0048/53
Fax: +91-22-6678-0055
www.idexapg.com